

VESSEL CLEANING NOZZLE

H₃ORBITER™

THREE-DIMENSIONAL DYNAMIC CLEANING

FOUR MANIFOLD OPTIONS

Offered to maximize precision of your application

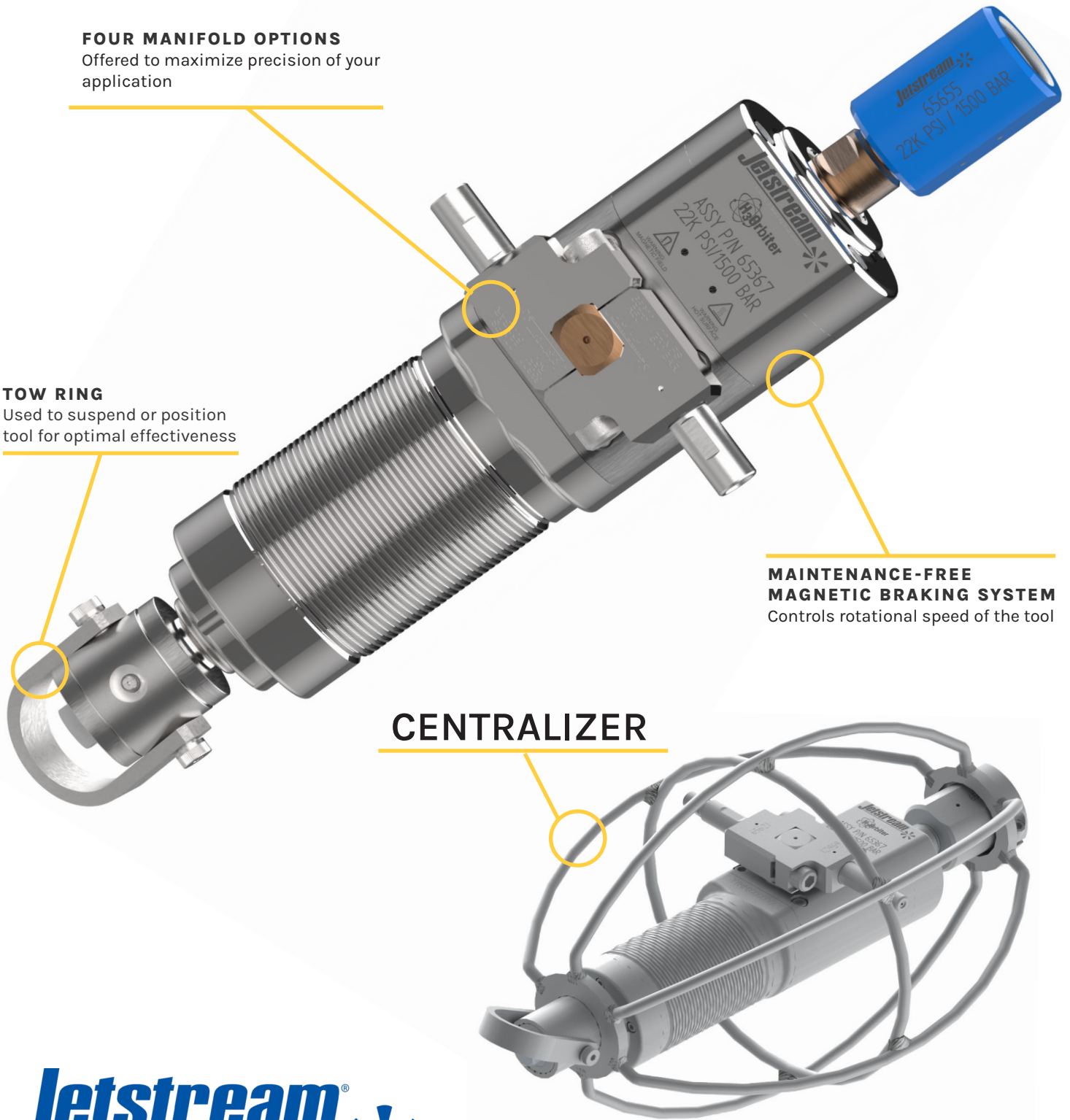
TOW RING

Used to suspend or position tool for optimal effectiveness

**MAINTENANCE-FREE
MAGNETIC BRAKING SYSTEM**
Controls rotational speed of the tool

CENTRALIZER

Jetstream®



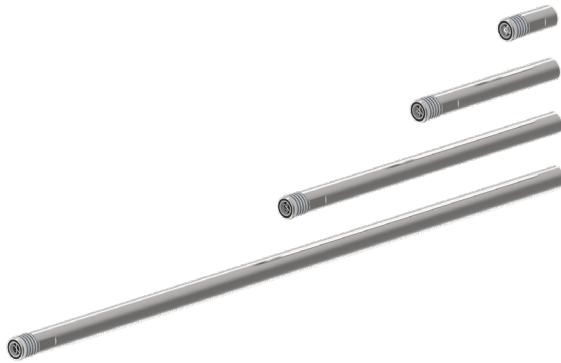
JETTING CONFIGURATIONS

MANIFOLDS

Four manifolds provide a range of flow capabilities between 10 to 80 gpm to match your application. High (50 to 80 gpm), Medium (28 to 55 gpm), Low (16 to 30 gpm), and Extra-Low Flow (10 to 18 gpm)



NOZZLE EXTENSIONS



CONNECTION* (MALE)	SPEED RANGE	DIAMETER		ASSEMBLY LENGTH		ASSEMBLY WEIGHT		MAX. FLOW RATE		MAX. OPERATING PRESSURE	
		IN	MM	IN	MM	LBS	KG	GPM	LPM	PSI	BAR
1-1/8" ORS Male	Adjustable; 8-50 rpm	4	100	16.65	423	35	16	80	307	22,000	1500



SEE IT IN ACTION

H30



800.231.8192
sales@waterblast.com



www.waterblast.com



5905 Thomas Road
Houston, TX 77041